

3/S2
v 3.3 (en)

**AIR VALVES
VENTILATION GRILLE**

ZOV, ZOT



TABLE OF CONTENTS

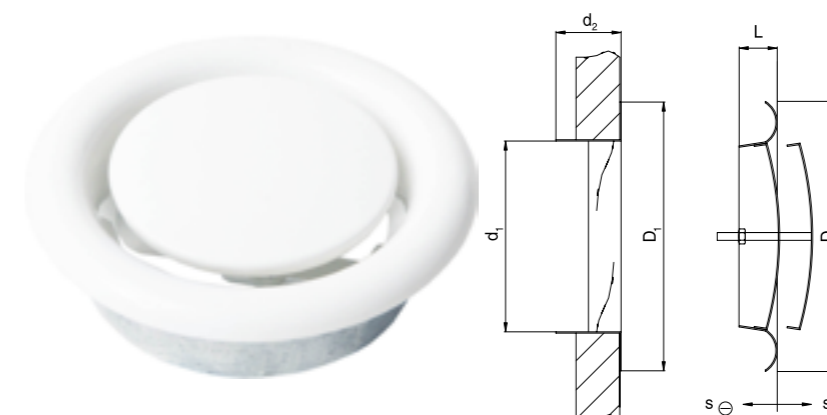
Air exhaust valve ZOV..... 207
 Air supply valve ZOT..... 209

EXHAUST AIR VALVE - ZOV

- For air exhaust applications in sanitary areas.
- Made of steel sheet, standard powder coating in RAL 9010
- Adjustable airflow rate.

Options

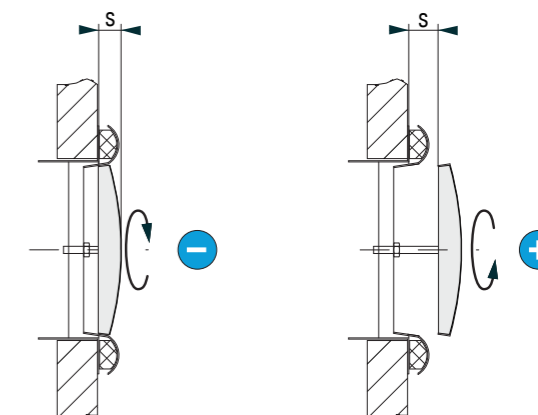
- RAL...



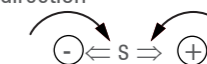
Dimensions ZOV

Air flow control

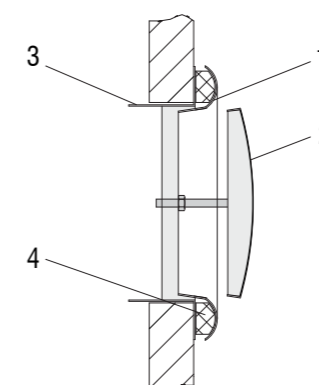
ZOV ZOT	øD [mm]	ød1 [mm]	d2 [mm]	L [mm]	øD1 [mm]
100	137	98	50	28	130
125	161	123	50	29	155
150	208	148	50	30	180
160	218	158	50	31	190
200	248	198	50	33	236



- Airflow adjustment is done by rotating the valve disc in positive or negative direction



ZOV air valve installation



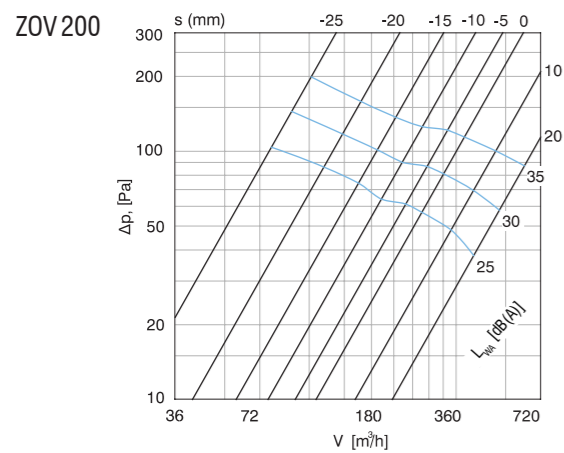
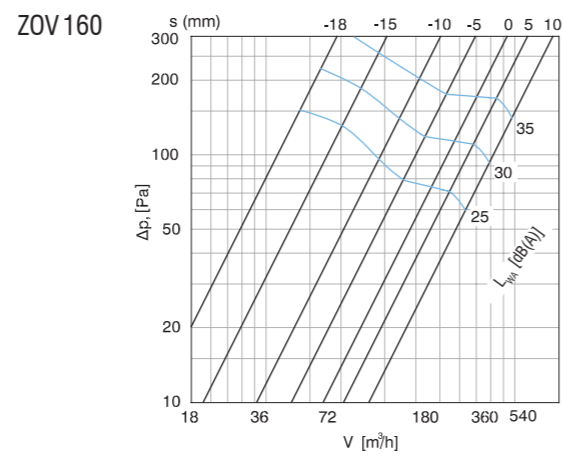
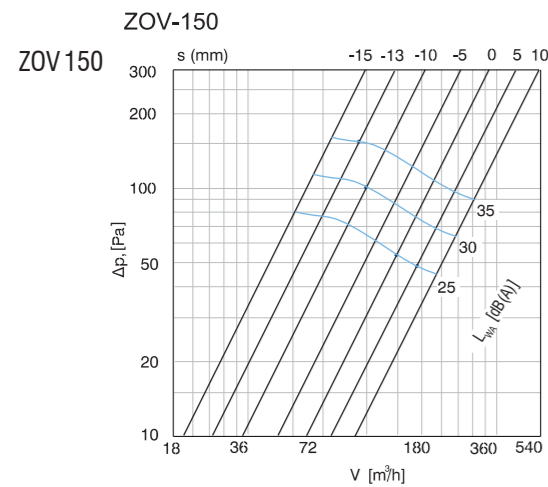
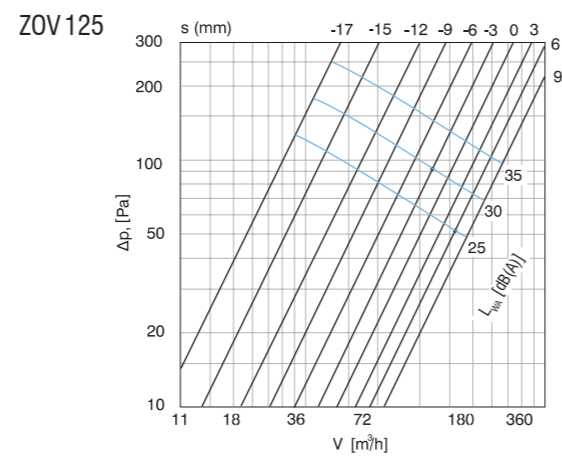
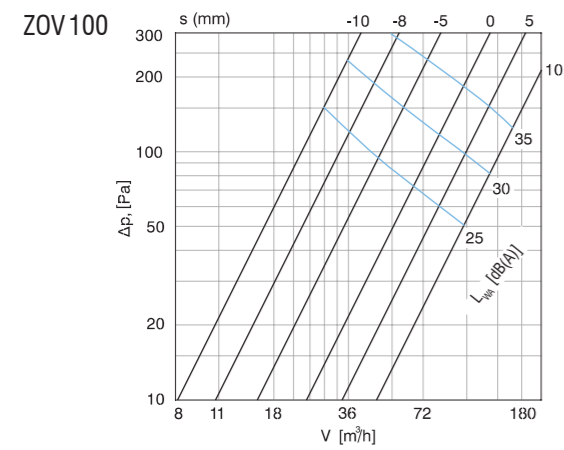
1. Air valve casing
2. Valve disc
3. Installation subframe
4. Foam seal

- Air valve casing "1" is placed in installation subframe "3" and turned right.
- Airflow adjustment is done by rotating the valve disc "2" left or right.

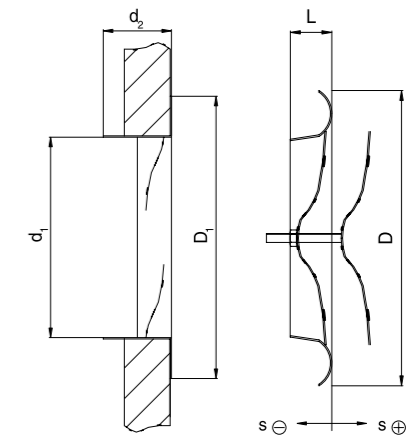
Definition of symbols:

Δp	[Pa]	- Pressure drop
L_{WA}	[dB(A)]	- Sound power level
V	[m ³ /h]	- Airflow rate
s	[mm]	- air valve gap setting
$L_{0,2}$	[m]	- air throw distance for $v_L = 0,2$ m/s

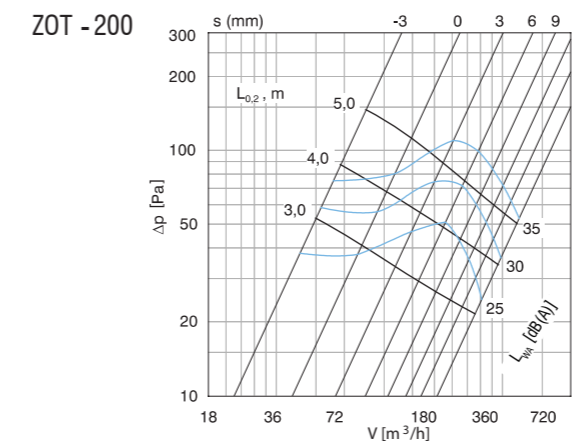
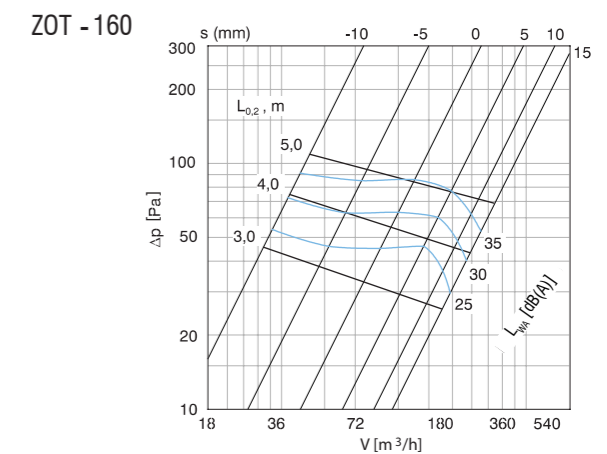
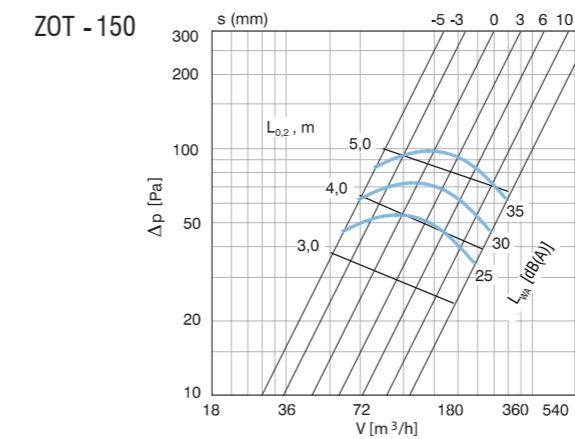
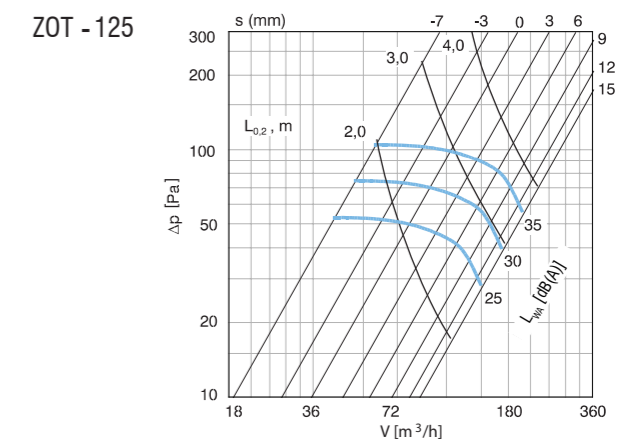
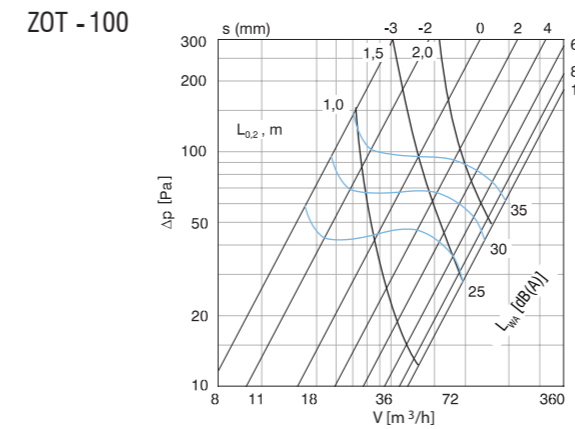
ZOV - airflow, pressure drop and sound power level diagrams



SUPPLY AIR VALVE - ZOT



ZOT - airflow, pressure drop and sound power level diagrams



Ordering key

Air valve (ZOV, ZOT) **ZOV - 100**
Size